

SCHOTTKY BARRIER DIODE

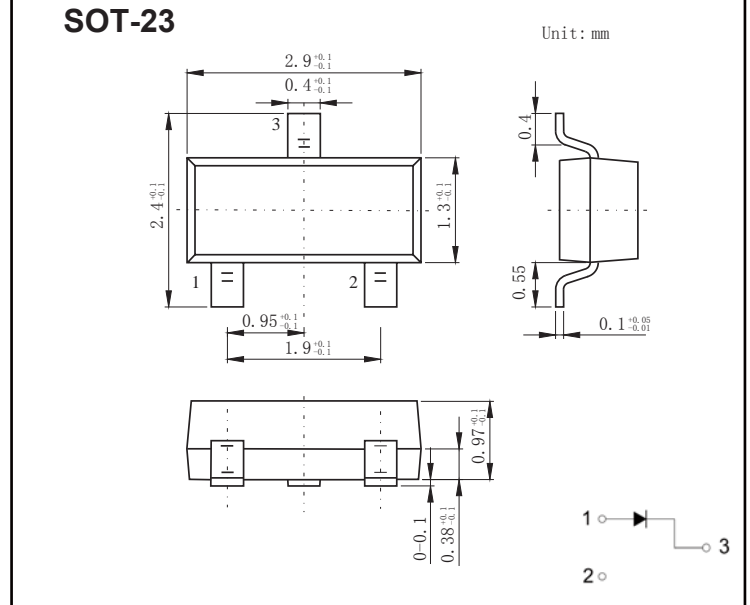
VOLTAGE RANGE: 20V PEAK PULSE POWER:200mW

FEATURES

- Low Forward Voltage
- Fast Reverse Recovery Time
- High Forward Current

MECHANICAL DATA

- Case: SOT-23 Small Outline Plastic Package
- Polarity: Color band denotes cathode end
- Mounting Position: Any



MAXIMUM RATINGS AND CHARACTERISTICS

Ratings at 25 °C ambient temperature unless otherwise specified

Symbol	Parameter	Value	Unit
V_R	DC Blocking Voltage	20	V
I_O	Forward Continuous Current	500	mA
I_{FM}	Peak Forward Current	1.5	A
I_{FSM}	Non-repetitive Peak Forward Surge Current@t=8.3ms	5	A
P_D	Power Dissipation	200	mW
$R_{\theta JA}$	Thermal Resistance From Junction To Ambient	500	°C/W
T_j	Junction Temperature	125	°C
T_{stg}	Storage Temperature	-55~+150	°C

Electrical Specification ($T_A=25^\circ\text{C}$ unless otherwise specified)

Parameter	Symbol	Test conditions	Min	Typ	Max	Unit
Reverse voltage	$V_{(BR)}$	$I_R=100\mu\text{A}$	20			V
Reverse current	I_R	$V_R=10\text{V}$			20	μA
		$V_R=20\text{V}$			100	
Forward voltage	V_F	$I_F=10\text{mA}$			0.35	V
		$I_F=100\text{mA}$			0.43	
		$I_F=500\text{mA}$			0.55	
Total capacitance	C_{tot}	$V_R=0\text{V}, f=1\text{MHz}$		120		pF
Reverse recovery time	t_{rr}	$I_F=I_R=50\text{mA}, V_R=6\text{V}$		20		ns

MARKING: H9



RATINGS AND CHARACTERISTIC CURVES

